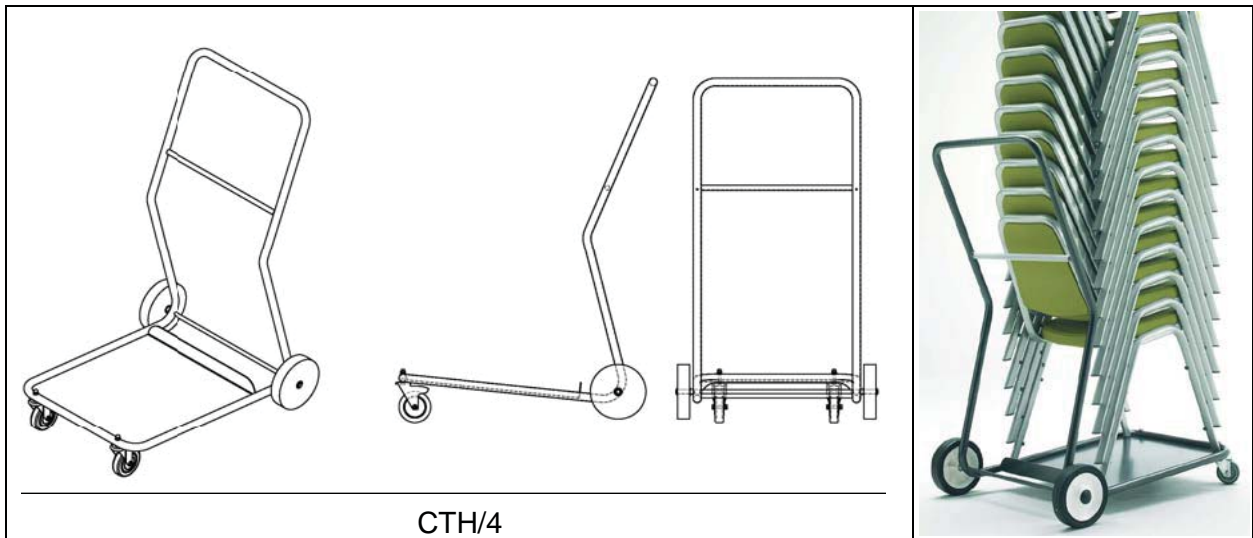


CTH/4 Chair Trolley

The CTH/4 accepts chairs stacked on it for transportation enabling the user to wheel the trolley without having to take any of the load. The trolley includes a strap to retain the stack of chairs in position.

Features include:

- Tubular mild steel construction throughout
- Pewter hammer finish powder coated frame
- Rubber wheels



Specifications (cm)				
Description	Width	Length	Height	Weight
CTH/4	66	82	110	12.5 kg

Burgess Furniture Ltd
 Hanworth Trading Estate, Feltham, Middlesex, TW13 6EH, UK
 Telephone: +44 (020) 8894 9231 / Fax: +44 (020) 8894 2943
 Email: sales@burgessfurniture.com / Web: www.burgessfurniture.com

